

# FLEMING MASONRY ANCHORING SYSTEM

The Fleming Masonry Anchoring System is used to restrain the exterior wythe of masonry veneer walls against positive and negative wind loads and seismic forces. The system has three elements; Anchor Slots secured to wall back-up; Anchors with one end inserted into the Anchor Slots and the other end embedded into the horizontal mortar bed between courses of masonry; and a strand of reinforcing wire in the horizontal mortar joint.

Fleming Anchor Slots are channel profiles 1" x 21/32" (25mm x 17mm) with inturned lips roll formed from 22 gage (0.85mm) galvanized steel strip. Mounting holes are prepunched at 12" (305mm) centers. Anchor Slots are available in bundles of 50 pieces each 10'-0" (3050mm) long.

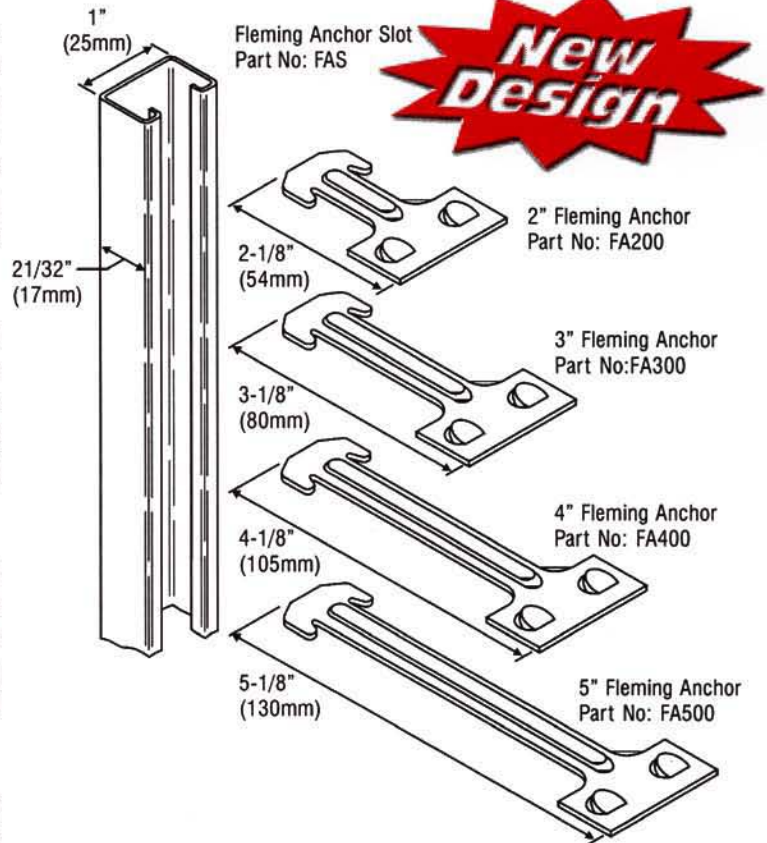
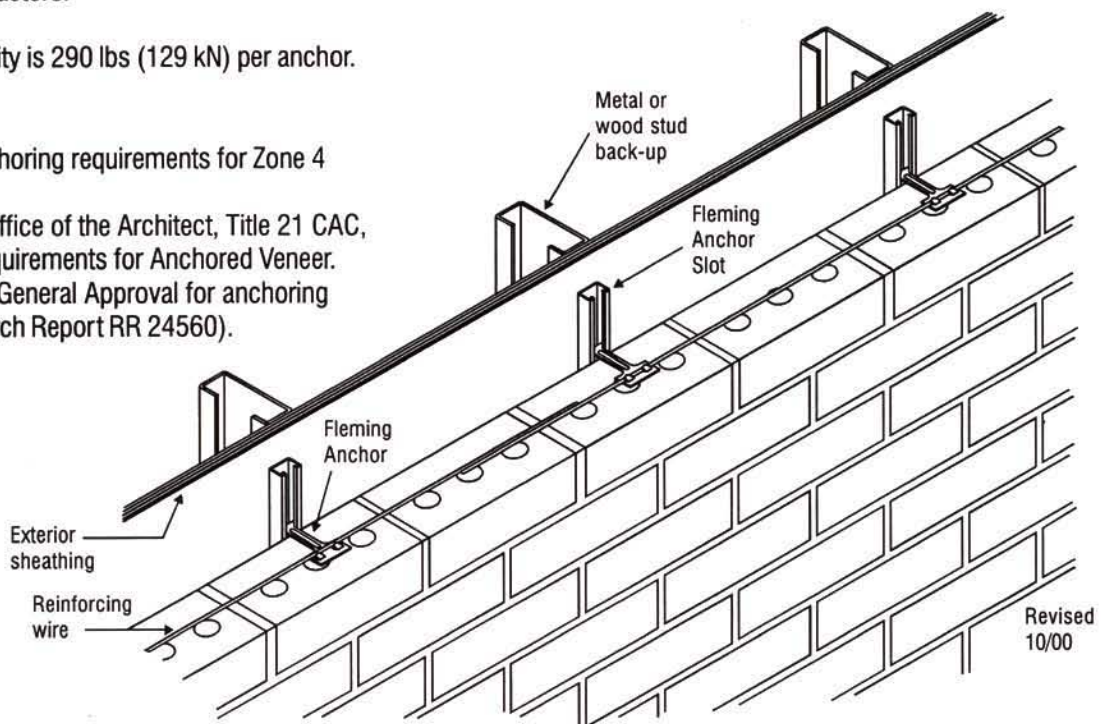
Fleming Anchors are tee-shaped and are stamped from 14 gage (1.9mm) thick galvanized steel strip, complete with central stiffening rib and two tabs. They are available in lengths of 2-1/8" (54mm), 3-1/8" (80mm), 4-1/8" (105mm) and 5-1/8" (130mm). Each size is packed in cartons of 500 pieces. Custom lengths can also be manufactured.

The Fleming Masonry Anchoring System is suitable for restraining masonry veneer up to 3-5/8" (92mm) thick and density up to 120 lb/cu.ft (182 kg/cu m), for all seismic zones and occupancy factors.

Ultimate pull-out capacity is 290 lbs (129 kN) per anchor.

Conforms to:

1. Masonry facade anchoring requirements for Zone 4 earthquake loads.
2. State of California, Office of the Architect, Title 21 CAC, and Title 22 CAC requirements for Anchored Veneer.
3. City of Los Angeles General Approval for anchoring brick veneer (Research Report RR 24560).



**MEADOW BURKE PRODUCTS**

8521 F.M. Road 1976  
Phone: 800-323-6896 or 210-658-4671

P. O. Box 547

Converse, TX 78109  
Fax: 888-277-1695 or 210-658-7908

# FLEMING MASONRY ANCHORING SYSTEM

For installation on wood-framed structures, align the Fleming Anchor Slots vertically at 16" (406mm) maximum centers over the sheathing at stud locations. Secure the Slots to the wood studs with 10d (3mm dia x 76mm long) galvanized common nails or corrosion-resistant sheet rock screws at maximum 12" (305mm) centers.

For installation on metal-stud structures, align the Fleming Anchor Slots vertically at 16" (406mm) maximum centers over the sheathing at stud locations. Screw fix the Anchor Slot to the metal studs with No 10 (4.8mm) corrosion-resistant Teks screws (or equivalent).

For installation to concrete or masonry block back-up, screw fix Anchor Slot with 3/16" dia. x 1-1/4" long (min.) tapcon masonry fasteners.

Anchor length is controlled by cavity width, brick width and position of reinforcement. Select the appropriate length of Anchor from the adjacent illustration, ensuring that the reinforcement is in the middle 1/3 of brick width.

After the first 2 or 3 courses of masonry have been laid, install the foot end of the Anchors into the Anchor Slots. Anchors are required at 12" (305mm) maximum vertical spacing.

Galvanized W1.7 [i.e. 9 gage] (3.8mm dia) wire reinforcement is then placed behind the tabs on the Anchors. Reinforcement at joints must be lapped at least 6" (152mm).

Note: Fasteners and reinforcement to be supplied by others.

© copyright Halfen 2000



MEADOW BURKE PRODUCTS  
 P. O. Box 547  
 Converse, TX 78109  
 Phone: 800-323-6896 or 210-658-4671  
 Fax: 888-277-1695 or 210-658-7908

